

XTZ750 & TDM850 Oil Pressure Switch

Can be suited also for TDM900

By Gabibbo

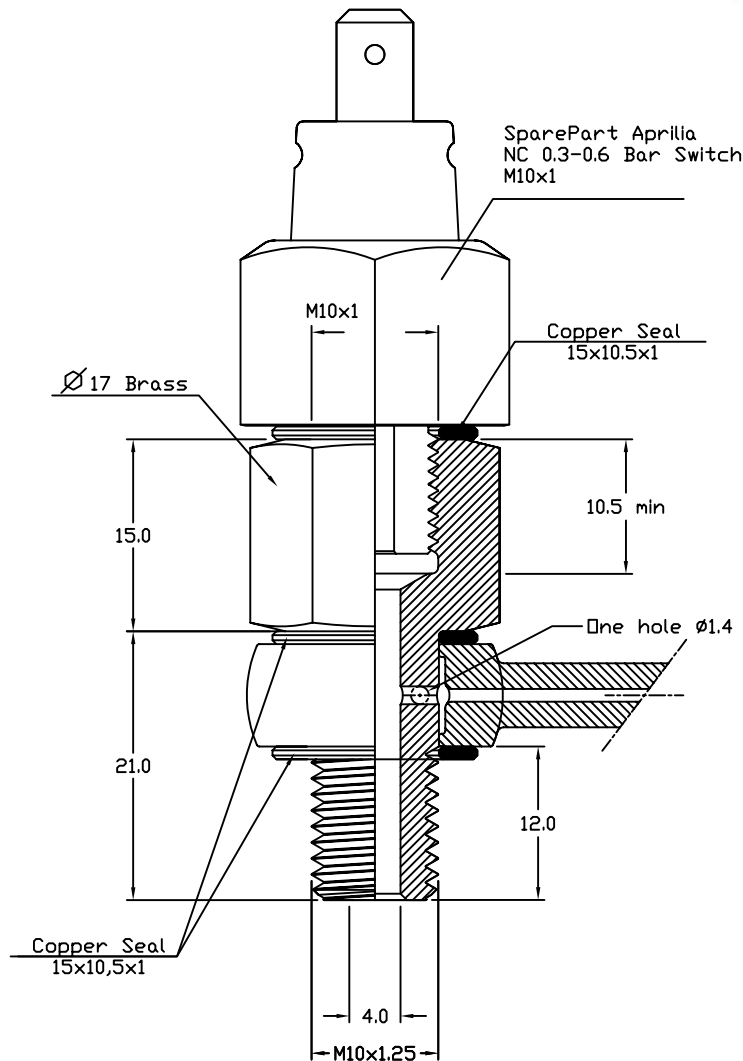
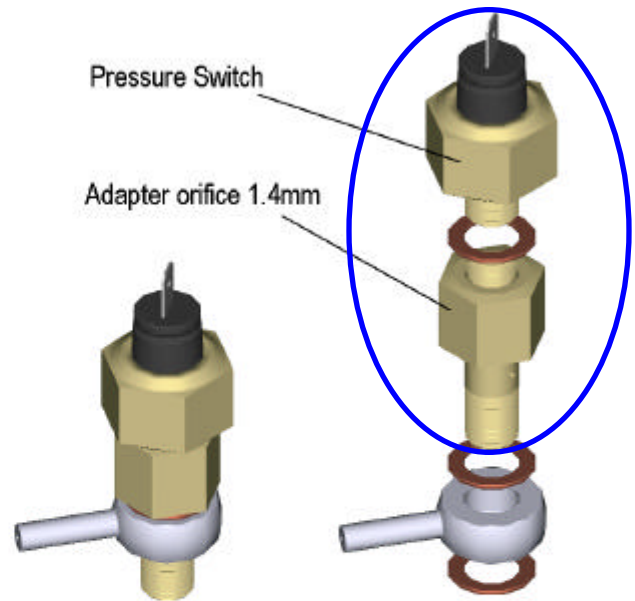
As most of us know, the lost oil pressure can generate a several damages on the engine, if it is not stopped in time.

This modification, permit to have an alarm, any time the lube oil system doesn't work properly.

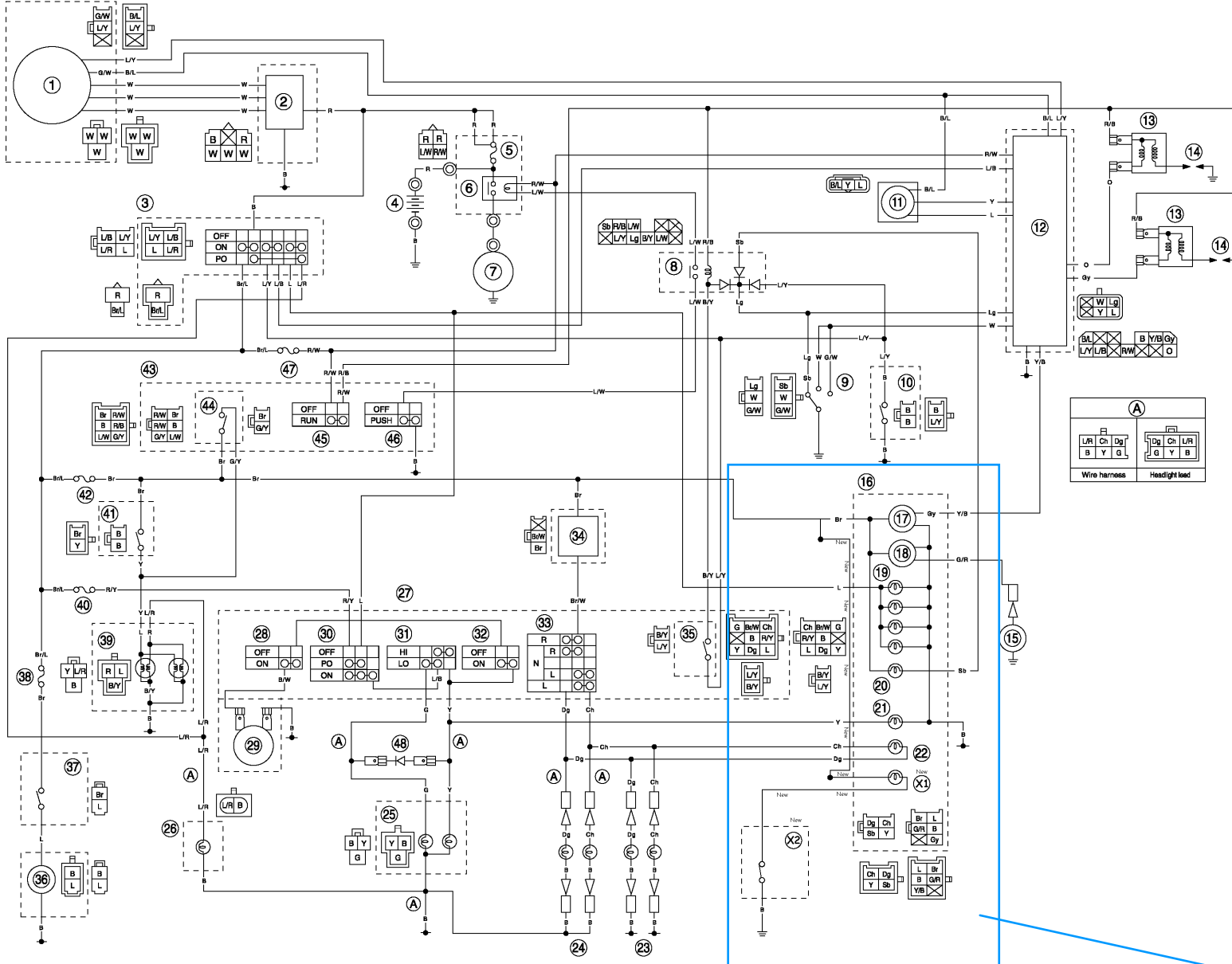
So if the oil pressure dropped below the 0,3-0,6 Barg (the set depend by the type of instrument used), an indicator light advice us of the problem.

This can give us enough time to investigate and find out the reason of the miss function, oil level is too low, gear pump don't work, plugs etc.

Instrument Assy



TDM850 '96 WIRING DIAGRAM



- ① A.C. magneto/pickup coil
- ② Rectifier/regulator
- ③ Main switch
- ④ Battery
- ⑤ Main fuse
- ⑥ Starter relay
- ⑦ Starter motor
- ⑧ Starting circuit cut-off relay
- ⑨ Gear position switch
- ⑩ Sidestand switch
- ⑪ T.P.S. (throttle position sensor)
- ⑫ Ignitor unit
- ⑬ Ignition coil
- ⑭ Spark plug
- ⑮ Thermo unit
- ⑯ Meter assembly
- ⑰ Tachometer
- ⑱ Water temperature meter
- ⑲ Meter light
- ⑳ Neutral indicator light
- ㉑ High beam indicator light
- ㉒ Turn indicator light
- ㉓ Rear flasher light
- ㉔ Front flasher light
- ㉕ Headlight
- ㉖ Auxiliary light
- ㉗ Left handlebar switch
- ㉘ Horn switch
- ㉙ Horn
- ㉚ Lights switch
- ㉛ Dimmer switch
- ㉜ Pass switch
- ㉝ Turn switch
- ㉞ Flasher relay
- ㉟ Clutch switch
- ㊱ Fan motor
- ㊲ Thermo switch
- ㊳ Radiator fan fuse
- ㊴ Tail/brake light
- ㊵ Headlight fuse
- ㊶ Rear brake switch
- ㊷ Signal system fuse
- ㊸ Right handlebar switch
- ㊹ Front brake switch
- ㊺ Engine stop switch
- ㊻ Start switch
- ㊼ Ignition fuse
- ㊽ Diode

COLOR CODE

B Black	L Blue	Y Yellow	Br/W . . Brown/White	L/W . . . Blue/White
Br Brown	Lg Light green	B/L . . . Black/Blue	G/R . . . Green/Red	L/Y . . . Blue/Yellow
Ch Chocolate	O Orange	B/R . . . Black/Red	G/W . . . Green/White	R/B . . . Red/Black
Dg Dark green	R Red	B/W . . . Black/White	G/Y . . . Green/Yellow	R/W . . . Red/White
G Green	Sb Sky blue	B/Y . . . Black/Yellow	L/B . . . Blue/Black	R/Y . . . Red/Yellow
Gy Gray	W White	Br/L . . . Brown/Blue	L/R . . . Blue/Red	

- New**
- X1 Pressure oil indicator light
 - X2 Pressure Switch

By Gabibbo

Remove the original Banjo Bolt and replace it with the instrument Assy.

